

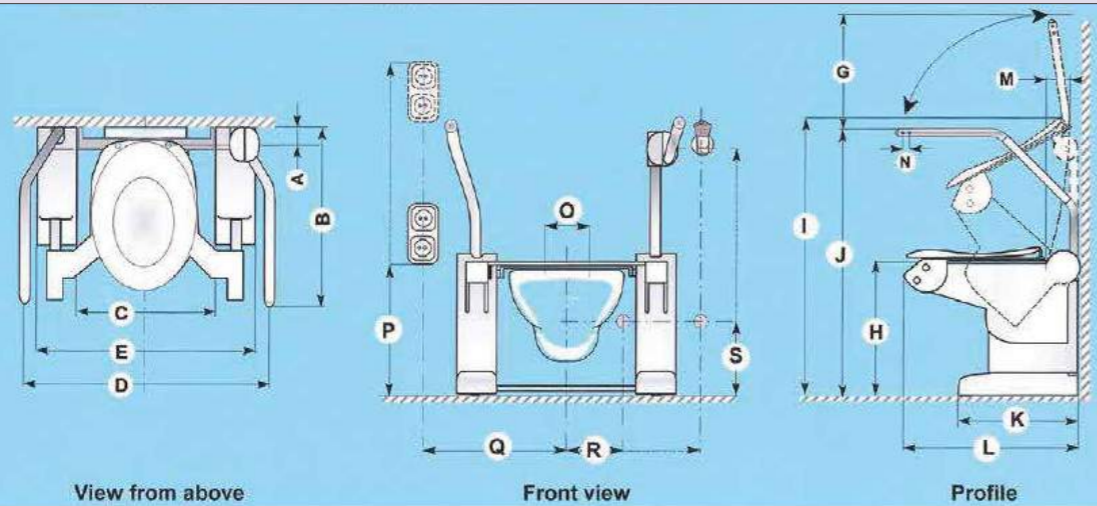
Size specifications in cm

Size	Description	ST standard	SF bidet	GE-7000 geberit	GE-8000 geberit	CL closomat	DO shower	SM small	SB sani-broyeur	NC non-contact
A	Distance between wall and toilet seat mounting holes	9.5	11 / 17.5	-	-	-	-	9.5	9.5	9.5
B	Legth arm supports	68	68	68	68	68	68	68	68	68
C	Distance between covers	42.5	42.5	50	45	52	-	36.5	42.5	42.5
D	Width arm supports (adjustable)	65 / 70	65 / 70	68 / 74	67 / 72	68 / 74	65 / 70	59 / 64	65 / 70	65 / 70
E	Width of toiletlift	67.5	67.5	76	70	77.5	54	61.5	67.5	67.5
G	Height fold-away arm supports	50	50	50	50	50	50	50	50	50
H	Height range (adjustable by adaptors)	39.5 / 50	39.5 / 50	39.5 / 50	39.5 / 50	39.5 / 50	43 / 53	39.5 / 50	39.5 / 50	39.5 / 50
I	Maximum toilet seat height when H=40 cm (adjustable)	100	100	100	100	100	103	100	100	100
J	Min. and max. heights arm support when H=40cm and H=50cm	100	100	100	100	100	103	100	100	100
K	Length foot cover	40.5	40.5	40.5	40.5	40.5	40.5	40.5	40.5	40.5
L	Length frame lift	56	56	56	56	56	56	56	56	56
M	Maximum space difference	4.5	4.5	4.5	4.5	4.5	4.5	4.5	4.5	4.5
N	Distance control knobs	3.5	3.5	3.5	3.5	3.5	3.5	3.5	3.5	3.5
O	Distance between mounting bolt holes on toilet bowl (variable)	14.2 / 17.7	14.2 / 17.7	fixed size	fixed size	fixed size	to the wall	14.2 / 17.7	14.2 / 17.7	14.2 / 17.7
P	Minimum / maximum cable length	40 / 300	40 / 300	-	-	-	500	300	40 / 300	40 / 300
Q	Minimum distance power-point	45	45	-	-	-	-	42	45	45
R	Water 1/2	-	17 / 45	-	-	-	-	-	-	-
S	Height water tap 1/2"	-	20 / 100	-	-	-	-	-	-	-

OPTIONS		● = possible ○ = not possible								
Battery Back-up		●	●	●	●	●	●	●	●	●
Automatic adjustment		●	●	●	●	●	○	●	●	●
24 Volt		●	●	●	●	●	●	●	●	●
Bariatric (300 Kg)		●	○	○	○	○	○	○	●	○
Mobile		●	○	○	○	○	○	○	●	●
Fold-away arm support L-R		●	●	●	●	●	●	●	●	●
H* Lower range when bowl=min.37cm		●	●	●	●	●	●	●	●	●

An Aerolet type Bariatric can NOT be equipped with an automatic adjustment

- Materials : Stainless steel
Cathodic electro
Rilsan coating
ABS covers
- Color : White
- Guarantee : 12 months
- Max. load : 180 Kg
125 Kg TUV norm
- Power : 230 V - 50 Hz.
- Current : Max. 3 A
- Voltage : 120 VA



 佳澤工程有限公司
Delta Pyramax Engineering Ltd.

3/F, Unit A, Kader Building, 22 Kai Cheung Road, Kowloon Bay, HK
+852 2511 2118 | joyceli@dpx.hk | www.healthyageing.com.hk



Aerolet® is a registered trademark - Technical modifications to be reserved -
Patent pending - version 09-2004 Engl.

Aerolet® toiletlift

座廁扶助器



**Raising the standard
in bathroom safety
and independence**

Independence

Unique concept

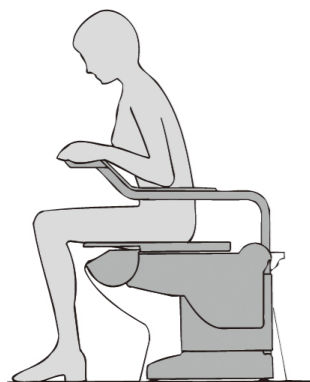
Natural 'stand-up' motion

Simple installation

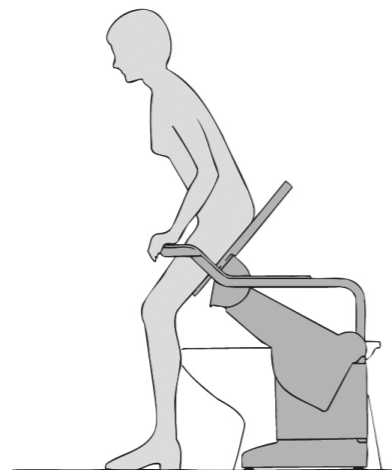
Website: www.toiletlift.com.hk

Aerolet® toiletlift

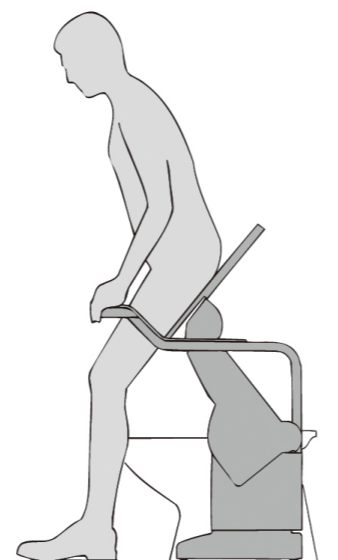
Natural 'stand-up' motion



Lowest position - the normal seat height



Highest position - for short leg length



Highest position - for long leg length

The Aerolet toilet lift program has been extended with a new type of tilting toilet lift for elderly and infirm persons who can use additional upward support during the toilet. A more welcome addition to the already existing specialized toilet lifts program for the (serious) disabled. This model basic is available with or without arm supports.

Basic features on toilet lift models:

- Adjustment of different tilt positions
- Safe lift support
- Simple assembly on existing toilet bowl (with-out drilling and damaging floor tiles)
- Maintenance free with 24 months warranty

Options:

- Small control box for adjustment of variable tilt movement
- 24 Volt model: Lithium-ion battery

Residential project reference:



Custom-made size and dimension

- Fit to normal toilet bowl in HK
- Customized height to fit in washroom



Model Standard (ST)



Separate hand control

Aerolet® toiletlift

Model

Standard (ST)

- Fits most existing bathrooms (wide: 67.5 cm - height from: 37 cm)
- Can be adjusted to fit higher bowls (40 cm up to 50 cm)
- Can be adjusted to fit hanging bowls (minimum height: 37 cm)
- Can be supplied with different types of toilet seats (accessory)



Model Standard (ST) hanging



Model Standard (ST) standing

Small (SM)

- Fits every existing bathroom the toiletlift (wide: 61.5 cm – height: 40cm)
- Can be adjusted to hanging (min. 37cm) and higher bowls (40 cm up to 50 cm)
- Can be supplied with different types of toilet seats (accessory)
- Can be supplied with foldaway arm supports for easier transfer (option)



Model Small (SM)

Mobile (MO)

- The mobile toiletlift is an ideal additional amenity for handicapped visitors in hospital, nursing facilities and hotels/resorts
- No need for renovations to smaller bathrooms to provide access for large lifting/hoist devices and short-term use
- Quick, easy installation allows flexibility in room assignments
- Easily moved from ward to ward, or with the patient as required



Model Mobile (MO) detail



Model Mobile (MO)

• All Aerolet toiletlift models can be fitted with optional foldaway arm supports for easier patient transfer

• All Aerolet toiletlift models are rated to support 180 KG. According to TÜV standard: 125 KG

24Volt (24V)

- For use in bathrooms where a power point is not available
- The 24V toiletlift is supplied with two batteries and one charger (230V)
- with a fully charged battery the toiletlift can be used 30-35 times with a maximum load of 125 KG
- This option (24Volt) can be adapted to all models



Model 24Volt (24V)

Shower (SH)

- The showerlift offers ideal support during showering for safe sitting and standing up
- The showerlift (24V) is powered by an external 230 Volt (or your domestic voltage) control box, which must be situated outside the shower room
- The compact showerlift (only 54 cm wide) fits perfectly in any shower room
- Is equipped with a soft anti-slip shower seat
- Can be supplied with foldaway arm supports for easier transfer (option)



Model Shower (SH)