

DDS Stainless Steel Electric Heating Element



DELTA DUCT SYSTEMS LTD

佳得風管系統有限公司



佳得風管系統有限公司，累積多年經驗，生產並銷售多款冷氣和通風系統的優質產品。去年更推出品質優良的不鏽鋼電熱管，DDS不鏽鋼電熱管除了生產過程嚴謹，更符合了CE的驗證要求，為業界提供方便、經濟及高效率的服務。

Delta Duct Systems Company Ltd, accumulates many year experiences, produce various kinds of high quality air conditioning and ventilation system related products. Last year, we've promoted excellent quality of DDS Stainless Steel Electric Heating Element, DDS Stainless Steel Electric Heating Element not only rigorous in production process , it also conformed to the CE confirmation requirement, provided convenient, economical and high efficiency service for the field.

PRODUCTION

Production program:
The strict production process, coordinates the advanced technology and machine like vertical shaking machine, density strengthens machine and so on, to provide the finest electric heating element for all customers.



生產程序:
嚴格生產流程，再配合先進科技及機器如垂直震盪機，密度強化機等等，務求為各大客戶提供最優良的電熱管。



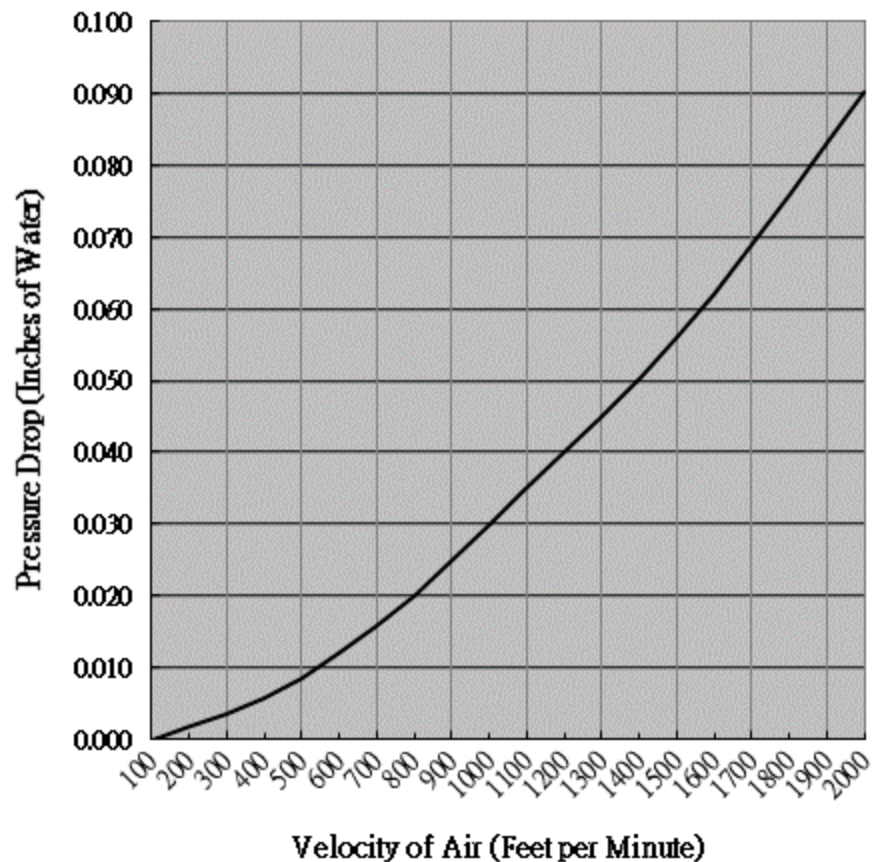
The stainless steel fin wind helical onto the tube to increase heat transfer.

不鏽鋼片以螺旋方式圍繞到管上，增加平均的熱傳遞。

PRESSURE DROP

The relations of air velocity and static pressure drop across heater. (See chart 1)

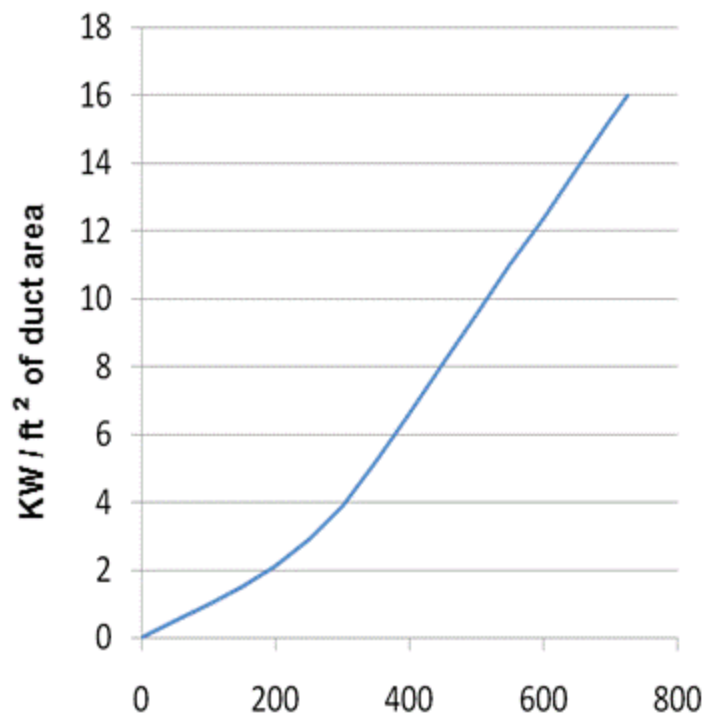
風速通過電熱管與靜壓力下降的關係。
(見圖1)



MINIMUM VELOCITY

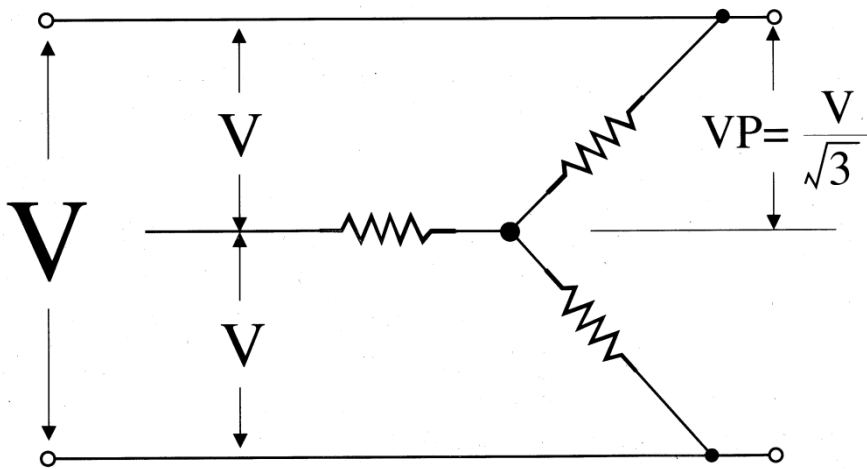
To prevent overheating and a smooth operating, a sufficient air flow must be provided. (See chart 2)

為確保電熱管工作順暢及不過熱，提供充足氣流量是必要的。(見圖2)

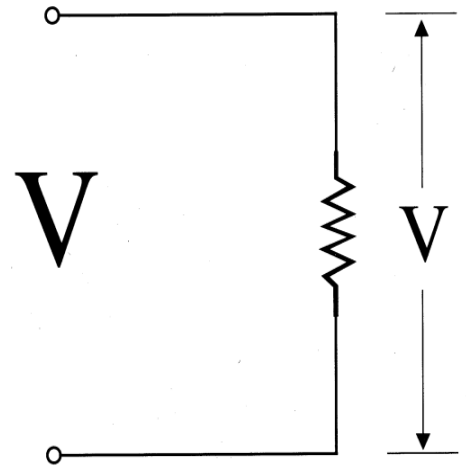


(Chart 2) Minimum air velocity require (Ft / Min.)

CONNECTION



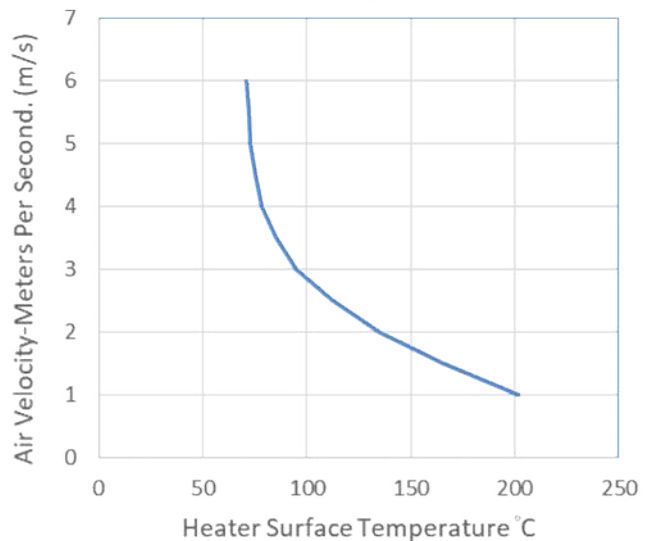
Three Phase Circuit (Y Type connection)
三相交流電線路圖 (Y 型接線)



Single Phase
單相交流電線路圖

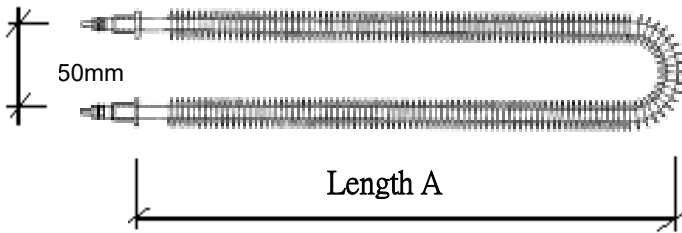


DDS Electric Heating element
46.5kW/m² (30w/in²)

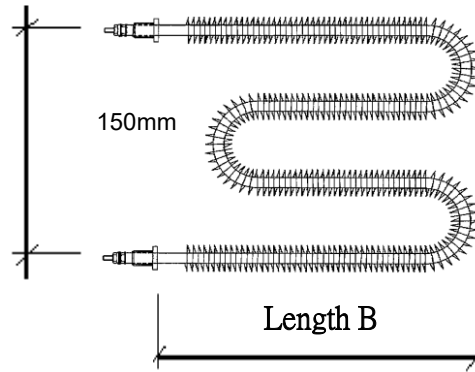


We are not only a supplier, we also provide SERVICES for our customers, such as the above tailor made heater box, on site services, technical support.

為提高服務質素，我們會為各客戶提供度身訂做電熱箱，到場技術支援等等。



U - TYPE



W - TYPE

The tube diameter with fin both in 31H & W series; 46H & W series are 24mm

Model	Wattage	Length A
31KW/m² 20W/in²		
SS31H01	500	380
SS31H02	750	535
SS31H03	1000	710
SS31H04	1500	1010
SS31H05	1800	1200
SS31H06	2000	1325
SS31H07	2400	1580

46.5KW/m² 30W/in²		
SS46H01	500	215
SS46H02	750	280
SS46H03	1000	380
SS46H04	1250	430
SS46H05	1500	535
SS46H06	1750	580
SS46H07	2000	670
SS46H08	2250	770
SS46H09	2500	840
SS46H10	2750	925
SS46H11	3000	980
SS46H12	3500	1165
SS46H13	4000	1280
SS46H14	4500	1465
SS46H15	5000	1580

Model	Wattage	Length B
31KW/m² 20W/in²		
SS31W01	500	200
SS31W02	750	280
SS31W03	1000	370
SS31W04	1500	520
SS31W05	1800	615
SS31W06	2000	680
SS31W07	2400	805

46.5KW/m² 30W/in²		
SS46W01	500	150
SS46W02	750	180
SS46W03	1000	205
SS46W04	1250	235
SS46W05	1500	295
SS46W06	1750	310
SS46W07	2000	350
SS46W08	2250	405
SS46W09	2500	435
SS46W10	2750	480
SS46W11	3000	510
SS46W12	3500	605
SS46W13	4000	685
SS46W14	4500	760
SS46W15	5000	840

FEATURES

- 304 stainless steel tube and fin material
- Type M3 epoxy resin end sealed terminal and radio-ceramic for terminal isolator
- 304 stainless steel threaded mounting bushing
- Standard voltages 220V – 240V
- Black heat type
- Country of origin - PRC

特徵

- 304 不鏽鋼管及散熱片
- 以環氧化樹脂封口及陶瓷絕緣圈
- 304不鏽鋼螺絲底座
- 標準電壓為 220V – 240V
- 管身為不發紅類別
- 產品來源地 – 中國



中国检验认证集团广东有限公司
CCIC Guangdong Co., Limited

ORIGINAL

Add: 17-18/F, West Tower, No. 66 Hua Cheng Avenue, Zhu Jiang
 New Town, Guangzhou, Guangdong, China
 P.C: 510623
 Tel: 86-20-38290256
 Fax: 86-20-38290703
 E-mail: guangdong@ccic.com

Certificate No.: FI-08082001-CE

Date: 2008-8-20

DECLARATION OF CONFORMITY

EMC DIRECTIVE

Applicant: Delta Duct Systems Ltd

Address: 3/F., Tung Lee Industrial Building, No. 9 Lai Yip Street, Ngau Tau Kok ,
 Kln . HK

PRODUCT(S) DESCRIPTION:

Product Name: ELECTRIC HEATER
 Model/Type: SS Type
 Brand name: DDS

Standard(s): EN 55014-1:2006 EN 55014-2:1997 (EN 61000-4-3),
 EN 61000-3-2:2006,EN61000-3-3:1995+A1:2001+A2:2005

Order No.: CCICGD - 08082001

According to the relevant test report, the sample mentioned above has been found to comply with the relevant harmonized standard(s) under the directive(s) 2004/108/EC.

The declaration is the responsibility of the manufacturer / importer.

THIS DOC IS ONLY VALID IN CONNECTION WITH TEST REPORT

NUMBER: STDGZ-01399-E

The evaluations and test results referenced from this declaration are relevant to the sample tested. In addition, the manufacturer shall keep the documentation according to the requirements of the relevant EC directive.



For and on behalf of
CCIC Guangdong Co., Limited

Li (XXJ)
 Authorized Signature(s)

SAIC Registration No.: 4400001901921

A 0004924

Certificate of FSD Hong Kong

消防處
牌照及審批總區
通風系統課
九龍尖沙嘴康莊道一號
消防局總部大樓五樓



FIRE SERVICES DEPARTMENT
LICENSING & CERTIFICATION COMMAND
Ventilation Division
5/F, Fire Services Headquarters Building,
1 Hong Chung Road, Tsim Sha Tsui East, Kowloon

本處檔號 Our Ref.: FP(LC) 316/19
來函檔號 Your Ref.: IVAN/RS/2007
圖文傳真 Fax: (852) 2382 2495
電話 Tel. No.: (852) 2251 4140

23 March 2007

Delta Duct Systems Ltd.
Unit A, G/F., Mai Tak Industrial Bldg.
221 Wai Yip Street
Kwun Tong
Kowloon
Hong Kong
(Attn.: Mr. Ivan Y.C. LEE)

Dear Sir,

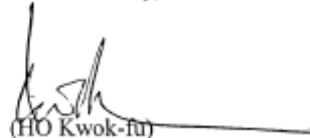
“DDS” Stainless Steel Electric Heating Element

I refer to your above letter of 16.3.2007 requesting for our comments on your “DDS” stainless steel electric heating element.

I would like to inform you that separate assessment for electric heating element will no longer be made by this department. However, if the element forms part of a duct heater used in ventilation system, then the whole heater assembly shall comply with the requirements stipulated in Section 1, Part XI of FSD Circular Letter No. 4/96; copy of which can be downloaded from the following web site:

<http://www.hkfsd.gov.hk/home/eng/circular.html>

Yours faithfully,



(HO Kwok-fu)

for Director of Fire Services

KFH/
FileCode: delta duct heater 200703223.doc

Certificate of FSD Macau



澳門特別行政區政府
Governo da Região Administrativa Especial de Macau
消防局
Corpo de Bombeiros

澳門士多紐拜斯大馬路 11 號
協興大廈 A 座地下
佳得風管系統(澳門)有限公司台啓

來証編號
Sua referência
DS020/20

來函日期
Sua comunicação de
09/03/2007

發証編號
Nossa referência
1673/DT/2007

澳門何潤泉博士大馬路
Av. Doutor Stanley Ho, Macau

26/03/2007

事由: **Submission for Macau FSD approval – Delta Duct Stainless Steel Electric Heating Elements.**
Assunto:

佳得風管系統(澳門)有限公司:

因跟進貴公司來函，現附上本局第 534/DT/2007 號意見書複印本乙份。

順頌
台祺

局長

馬耀榮
消防總監

SELof佳得_1812

Certificate of FSD Macau



澳門特別行政區政府
Governo da Região Administrativa Especial de Macau
消防局
Corpo de Bombeiros

頁編號: 1/1
File n.: 534/DT/2007
文件編號
Inf. n.: 19, 03, 2007
日期:
Data
審閱
於 26/03/2007
技術聽取
消防總長

意見書

事由: **Submission for Macau FSD approval – Delta Duct Stainless Steel Electric Heating Elements**

參件: 進入編號 3090 (13/03/2007)
佳得風管系統(澳門)有限公司函件編號: DS020/20

本局於 13/03/2007 收到佳得風管系統(澳門)有限公司交來 Delta Duct Stainless Steel Electric Heating Elements 的資料, 要求審批, 本局之意見如下:

Ø1. 有關來函所述的產品, 不屬《防火安全規章》24/95/M 號法令之範疇, 因此, 有關產品之認可不屬本局之權限。

二零零七年三月十九日於澳門消防局

研究暨試驗科科長

鍾兆豐
副消防區長

JOB REFERENCE

“DDS” STAINLESS STEEL ELECTRIC HEATING ELEMENT (HONG KONG PROJECT)

	PROJECT	CLIENT
2021	1706EM20M	Star Concept
	Parkview Apartment	Shun Hing
	Tai Tam Int'l School	Li Sang
	Matilda International Hospital	Highpower Engineering
	FanLing Queen's Hill Primary School	Shun Hing
	HZMB	China State
	HK Adventist Hospital	Carbon
	HKSTP 15W	Skyforce
	Heng Seng Bank, Central	Gundam
	LCK-G	Star Concept
	HKAH, Stubbs Rd	HKAH
	STCC, STRC	Four Seas
	HKUST 6J	Skyforce
	New Shun Hing Center	Shun Hing
	HK Baptist Hospital	Chevalier
2020	Sin Fat Rd	Shun Hing
	Camoos Tan Primary School	Sustainable
	Hutchison Logistics Centre	Regent Engineering
	Tsuen Wan Law Court	Union
	CUHK HKIB	Takasago
	Primary Sch, Tonkin Street	Skyforce
	West Island School	MK E & M
	HKSP Inno centre lab space	Skyforce
	NKIL6567, Kai Tak	Technicon
	Pacific Place	ATAL
	Tai Po Sport Centre	Hsin Chong Aster
	Novoheart MC5 Microbiology lab	Takasago
	Sanwa Biotech	Takasago
	Novoheart Cleanroom	Takasago
	HK Police HQ, Wan Chai	Sun Wo Engineering
	City U	Yat Dynamic

JOB REFERENCE

“DDS” STAINLESS STEEL ELECTRIC HEATING ELEMENT (HONG KONG PROJECT)

	PROJECT	CLIENT
2020	HK Police HQ, Wan Chai	Sun Wo Engineering
	City U	Yat Dynamic
	HKSTP Class 100	Takasago
	Barker Rd, the Peak	Lapton
	CUHK M.W.Wai & M.W.Mong Eng Bldg	Intelligent Projects
	Penny's Bay (Phase II)	Fugo Engineering
	1 Plantation Rd	Chit Tat
	CUHK	Regent Engineering
	MTR SHD Mask FTY	Takasago
	CUHK Mong Man Wai Bldg.	Skyforce
	HKIS HS	Mechtronic (E & M)
	783 Food Safety Laboratory	Getwick
	TMTL 515, Tuen Mun	Chit Tat
	HK Parkview Blk. 9	Fullyear E & M
	Harbour Grand Hotel	Turret Technical
	NKIL 6514	Shun Hing
	Wong To Yick	Takasago
	TMTL 500, Kwun Chui Rd	Shun Hing
	TMH	Takasago
	LOHAS 6	Westco
	City U P1701 Yeung Kin Man Bldg.	Speedy Engineering
	TPTL228	Shun Hing E & M
	Prince of Wales Hospital	Intelligent Projects
	HKU	Valuecon
	Gleneagle Hospital	Long Yue
	HKU JCBIR	Getwick
	OUHK Phase III	Shun Cheong
	HKMA	Wing Hing
	High Court Bldg.	A & R
	HKJC at Shatin	Four Seas
	TMTL541	Chit Tat
	St. George Bldg.	Wang Kin Loy
	The Former French Mission Bldg.	A & R

JOB REFERENCE

“DDS” STAINLESS STEEL ELECTRIC HEATING ELEMENT (HONG KONG PROJECT)

	PROJECT	CLIENT
2020	TSWTL#34	Aires Engineering
	HKBU OEM 506	Skyforce
2019	Singapore Int’l School	ATAL
	Wong’s Cleanroom	Takasago
	Park View	Practical
	HKSH Cyclotron	Takasago
	Ever Bright Centre	Wang Kin Loy
	Anatomy Lab	Hip Cheong
	QE Hospital	Shieldtech
	ST 248 Hotel, Shek Mun	Takasago
	Former French Mission Bldg.	A & R
	Cartier – K11	Go East
	William MW Mong Eng. Bldg.	Skyforce
	OUHK Phase III	Shun Cheong
	TMCLK	Gammon
	High Court Bldg.	A & R
	Baptist U	Intelligent
	CUHK	Regent
	Wong To Yick	Takasago
	Baptist University	Achiever Eng.
	HKSH Eastern District Med. Ctr.	Young’s
	St. George Bldg.	Wang Kin Loy / Carrier
	WYT	Success Gain
	Tsing Ma Bridge	Sustainable
	Hydro Bldg. at TST	Asia.bc Eng.
	HKJC	Keio
	HKUST	AEC
	Kai Tak 1H	Chit Tat
	St. Paul Hospital	Peterson Eng.
	I.L. 9027 Java Road	Lik Kai
	New Shun Hing Ctr.	Shun Hing Eng. Contracting

JOB REFERENCE

“DDS” STAINLESS STEEL ELECTRIC HEATING ELEMENT (HONG KONG PROJECT)

	PROJECT	CLIENT
2018	Pak Tin Comm. Hall	OCEAN & COLMAN
	Royal Pacific Hotel 19/F	GABO
	Residential at Plantation Road	IVE
	New Shun Hing Centre	SHUN HING ENGINEERING
	Tsz Shan Monastery	TURRET TECHNICAL SERVICE
	m/F at Electric Centre	YIP TONG KEE
	NWC H2	HSIN CHONG
	EdUHK	SPEEDY
	HKSH Cyclotron	TAKASAGO
	Learning Language Facilities at Tai Po Campus	HUNT REE
	Kowloon Hotel	AEC
	State Key Lab at Tai Po Campus	STANDARD
	Park View	PRACTICAL
	Park View	FOSTER
	HKIA P583 T1 Annex Bldg & C.P. 4 Expansion	LEIGHTON
	Site G of TKO TL 70	TAKASAGO
	HKSP 9W 203 & 205	GETWICK
	White Head	LIK KAI
	Jolly Place	HOP KWAN
	NKIL 6527, Kai Tak Area1i, Site 3	WESTCO CHINNEY
Chung Chi Libraries at HKCU	EVERGRAND	
OEW 12/F at HKBU	SKYFORCE	
2017	No.1 kai Yuen Street	SUN YU CHAU
	Java Road & Tin Chiu Street	LIK KAI
	HKBU Chan Wu Wan Kwai	INTELLIGENT
	CGO West Wing	RAFT
	HMT Sheung Foo Street	CHIT TAT
	Clinic Centre at Nathan Road	AEC
	HKMA	WING HING

JOB REFERENCE

“DDS” STAINLESS STEEL ELECTRIC HEATING ELEMENT (HONG KONG PROJECT)

	PROJECT	CLIENT
2017	Poly U Block X	CHING HING
	HZM Bridge	CHINA STATE
	TKO TL112	PYROFOE
	HKBU-David C Lam Bldg.	INTELLIGENT PROJECT
	No.77 Peak Road	CHIT TAT
	YMCA	KASUN
	Ladies Recreation Club	WING KAI E&M
	Conference room at CX City	FUNG TAT
	Dalton School	YIP HING
	Hotel at N.P. Oil Street	ATAL
	RABF	LEIGHTON-CHUN WO JV
	Nam Fung Textile Mill	WESTCO CHINNEY
	HKPC at KLN. Tong	LIK KO
	Gleneagle HK Hospital	YOUNG'S
	NAISHK Kindergarten	FOUR SEAS
	Po Wo Tong	TAKASAGO
	HKSTP	GETWICK
	TKO TL126	P L ENGINEERING
	So Kun Wat	CONCORD
	No. 11-29 Church Lane	LIK KAI
	TKO Club Hse. Swimming Pool	LIK KAI
	HK Parkview	A & R
	TUL	TAKASAGO
	816A-MCIQ Area	SHINRYO
	HKIS	YIELD FULL
	Shrewsbury Int'l School	SUSTAINABLE
	Kowloon Park	RAFT
	816A-HKICQ Area	SHINRYO
	No. 31-69 Chaiwan Road	SHUN HING ENGINEERING
2016	HKPTC-Shun Tai Yuen	RAISING ENGINEERING
	Xiqu Centre	SKYFORCE

JOB REFERENCE

“DDS” STAINLESS STEEL ELECTRIC HEATING ELEMENT (HONG KONG PROJECT)

	PROJECT	CLIENT
2016	Hysan Place	GAMMON
	China Unicom Global Ctr. at TKO	QUAD-TECH
	Maxim’s at Tai Po	WARDSON
	WYT at Yuen Long Ind. Est.	LAP KEI
	Lamma Power Station	LAP KEI
	Gleneagles Hospital	LIK KO
	Vita Green	CHEUNG WAI ENG.
	Two IFC	MTR
	Primary School Site 1A-3 & 1A-4 at Kai Tak	HIP CHEONG
	The Royal Pacific Hotel	SHINE WORKSHOP
	SPN 1B Swimming Pool	TAKASAGO
	TKO 117	SHUN HING E&M
	Biotech Company	SKYFORCE
	N0.8 Mount Nicholson Rd.	CHIT TAT
	Tai Po Tsai	CHIT TAT
	Hotel at Tuen Mun	HONG KONG AIR-CON.
	Fong Shu Chuen Library Bldg.	INTELLIGENT PROJECTS
	23/F One Pacific Place	FULLYEAR
	P4179 China Unicom	ATAL
	TKO Area 66A	SUN YU CHAU
	DDP HKAPC’s Offices	HONG KONG AIR-CON.
	Queen Mary Hospital	AEC
	Seymour Road	WING KEE
	Café de Coral Centre 10/F	Viewco
	HKSTP-SME Lab at 1/F	Getwick
	Two IFC	ATAL
	Electric Centre	YIP TONG KEE
	HKIED	ATAL
	Justice Place	WENDEN
	TKO 125	TECHNICON
	Arsenal Hse. 15/F	DICTSON ENGINEERING
	HK Parkview	TONG YI
	CUHK-HKEH	INTELLIGENT

JOB REFERENCE

“DDS” STAINLESS STEEL ELECTRIC HEATING ELEMENT (HONG KONG PROJECT)

	PROJECT	CLIENT
2015	City University	PRACTICAL
	HK Adventist Hospital	WARDSON
	Kam Tin Swimming Pool	TAKASAGO
	EMSD Correctional Institution Project	A & R
	The Nord Anglia Int’l School	HIP CHEONG
	WYT at Yuen Long	TAKASAGO
	Pak Kong	ATAL
	South Bay 20-22	LAP KEI
	Digital Reality HKG10 Phase 2	BYME
	Tuen Mun Law Court	KIN WAH
	Kau To Shan	LAPTON
	A&A work for Smart Safe Storage	FULLYEAR
	One Silver Hotel	CHONG CHI
	Baptist Hospital	CENTIPEDE
	TKO 119	TECHNICON
	Eye Hospital	SKYFORCE
	St. Teresa Hospital	AEC
	TCTL36 Area 55A Tung Chung	LIK KAI
	HKBU	SKYFORCE
	Tung Wah East Hospital	STAR CHAMPION
	22/F One Pacific Place	JEC
	Kln. Government Office Bldg.	AMPLE ENG.
	Canossa Hospital	REC
	German Consulate	SHINRYO
2014	Tuen Mun Hospital	TAKASAGO
	HKIED	SHUN HING E & M
	VTC at Pokfulam	STANDARD
	JP Morgan at Shatin	SILVERTECH
	German Swiss Int’l School	FULLYEAR
	HK Adventist Hospital	SHUN HING E & M

JOB REFERENCE

“DDS” STAINLESS STEEL ELECTRIC HEATING ELEMENT (HONG KONG PROJECT)

	PROJECT	CLIENT
2014	Digital Reality Phase 2	BYME
	Tanner Hill Retirement Housing	SHUN HING E & M
	HKBU 5/F SFC	SKYFORCE
	28 Barker Road	PYROFOE
	CUHK HKIB	HOP LUEN
	HKBU Shaw Tower & A.S.H. memorial Library	PRORICH
	Austin Station Site C	SHUN HING E & M
	Shing Mun Valley	RNB
	Chinachem Golden Plaza	RUBICON
	Ocean Park Kaola project	RAISING
	TVB Studio	TECHNICON
	Precious Blood Hospital	STAR CHAMPION
	HKBU Wing Lung Bank Bldg. 4/F	SKYFORCE ENG.
	Sai Wan Ho Civic	SKYFORCE ENG.
	科學園	GETWICK ENG.
2013	山頂獅子銀行	JACKSON E&M
	Hing Hon Road	ALLIANCE
	D' Aguilar Street	CARE WIN ENG.
	Yuen Long HYT	SUN YU CHAU
	Tung Chung Fire Station	LUCKY
	Sino Favour	FORTUNE LINK ENG.
	CU HK	SKYFORCE ENG.
	TKO Area 66B	SUN YU CHAU
	NKIL 6499, Yuet Wah Street	SHUN HING E&M
	HKBU-SCM	SKYFORCE ENG.
	Tuen Mun Area 18	HUN WO E&M
	No.4 Kennedy Road	FORTUNE LINK ENG.
	Shatin Hotel	WESTCO CHINNEY LTD.
	GSIS	ASSOCIATED HVAC
	St. Teresa's Hospital	SHUN HING E&M
	YMCA Hotel	WARDSON ENG. LTD.
	Digital Reality Data Centre	ATAL
	Ko Shan Theatre	Gammon E&M

JOB REFERENCE

“DDS” STAINLESS STEEL ELECTRIC HEATING ELEMENT (HONG KONG PROJECT)

	PROJECT	CLIENT
2012	KCTL 215 Tower B	TAKASAGO
	TPTL 186	WESTCO CHINNEY
	CLP Office at Hunghom	KEIO
	41C Stubbs Road	HONG KONG REAL ESTATE
	Red Cross HQ	RNB
	TPTL 187	WESTCO CHINNEY
	Jaffe Road Hotel	LAP KEI
	TPTL 188	YOUNG'S
	HKIED	ATAL
	HKBH	AMPLE
	Tuen Mun Hospital	TAKASAGO
	HSBC Data Centre	GAMMON
	MJ1239 EMSD QEH	LUCKY ENGINEERING
	37 Severn Road	LIK KAI
	TM 447	LIK KAI
	212 Gloucester Road	SUN YU CHAU
	Tai Yuen Street	GALA
2011	Po Yip Street Residential	LIK KAI
	Ruttonjee Hospital	WING FUNG
	HK Sanatorium Hospital	Alliance
	愉皇居	WARDSON
	On Lai Street Hotel	WESTCO CHINNEY
	HK Light & Power	RNB
	High Court	ARTSUC M&E
	Cha Kwo Ling Road Clinic	RNB
	TKO Area 56	SUN YU CHAU
	Cheung Lok Street Hotel	LAP KEI
	Diocesan Girl's School	SHINRYO
	Hoi Fai Road Hotel	SHUN HING E&M
	South Mark at Wong Chuk Hang	YEN FORD
	Matilda Int'l Hospital	AEC
	HKBU	HSIN CHONG
	St. Paul Hospitl	AEC

JOB REFERENCE

“DDS” STAINLESS STEEL ELECTRIC HEATING ELEMENT (HONG KONG PROJECT)

	PROJECT	CLIENT
2010	ICC Ritz Carlton Hotel	SHINRYO
	Hong Kong Parkview	HONG KONG AIR CONDITIONING
	San Po Kong Swimming Pool	KERVIN
	Discovery Bay Kindergarten	WARDSON
	Adventist Hospital	WARDSON
	Eastern Hospital A&A Work	WING FUNG
	Residential at Macdonnell Road	LAPTON
	Evangel Hospital	AEC
	So Kwun Wat TMTL 465	LIK KAI
	No. 19 Middle Gap Road	FU TAT
	Ngau Chi Wan	SUN YU CHAU
	Repulse Bay Hotel	The Repulse Bay Co.
	57/F Hopewell Centre	SILVERTECH
	HKU Li Shu Fan	GETWICK
	No. 863-865 King's Road	TAKASAGO
	D23 & D25 at Regalia Bay	ALLIANCE
	Conventional Plaza Apartment	FAR EAST ENG.
	Yoho Town II	SHINRYO
	FSD Bldg. at TKO, TST & Pok Fu Lam	BEST PRODUCT
	Lai King Sports Centre	JEC
2009	Baptist U Creative/Visual Arts Building	SHUN HING REFRIGARATION
	Hong Kong Parkview	MAN LEE E & M
	No. 19 Shek O Rd	Practical
	Dairy Farm Building	JET E&M
	64/F Hopewell Centre	SILVERTECH
	Grand Tower	AEC
	TKO Tsui Lam	WAI YEUNG
	STTL 470, Ho Tung Lau (site A) Shatin	ALLIANCE
	Sheung Wan Police Station Headquarter	ATAL
	STTL530 Wu Kai Sha Development	SHUN HING REFRIGARATION

JOB REFERENCE

“DDS” STAINLESS STEEL ELECTRIC HEATING ELEMENT (HONG KONG PROJECT)

	PROJECT	CLIENT
	Yeung Uk Road TWTL 394	SHUN HING REFRIGARATOR
	HKIE 香港教育學院	ATAL
	Regal River Side Hotel	LUCKY
2008	Atrium Hotel	ATAL
	Pacific Place restaurant	MECO
	No. 102 How Ming Street	HSIN CHONG ASTER
	Miramar Hotel	WARDSON
	Cityplaza Hotel	ATAL
	Western Sport Centre	CARRIER
	H.K. University	GETWICK
	Tau Fung Shan DD186 & Area 39	LIK KAI
	Modern Terminal	SHUN HING ENGINEERING
	JW Marriot Hotel	ATAL
	Hin Keng neighborhood Comm. Centre	OCEAN & COLMAN
	KCTL 215	TAKASAGO
	Private Independent School	NEWLAND ENGINEERING
	Tower T20	SHUN HING ENGINEERING
	Conventional Centre 11 & 12 /F	FAR EAST
	60/F Hopewell Centre	SILVERTECH
	Ronald Mcdonald House at Shatin	LAP KEI
	St. Teresa's Hospital	SHUN HING REFRIGARATOR
	Tung Wah Eastern Hospital	WAI YEUNG ENGINEERING
	63/F Hopewell Centre	SILVERTECH
2007	Prince of Wales Hospital	TAKASAGO
	The H.K. Academy for Performing Arts	JET E&M
	麥理浩夫人渡假村	HENCH
	旺角政府合署	CARRIER
	沙田石門國際學校	SHUN HING REFRIGARATOR
	HKIED	CARRIER

JOB REFERENCE

“DDS” STAINLESS STEEL ELECTRIC HEATING ELEMENT (MACAU PROJECT)

PROJECT	CLIENT
MGM Cotai	IP FONG
Galaxy Phase 3B	ATAL
Galaxy Phase 3A	ATAL
L03 Paiza Cotai Parcel 5&6	ATAL
Star World Hotel	TOPSUN
Peak Hospital	AIR TECH
Ponte 16	A SHING
MGM	HOBBS JV
MGM Hotel Tower	SHUN HING
青訓局	HENG KEI
Venetian Parcel 5 & 6 Podium	SHINRYO
City Of Dreams Hotel C	SOUTH A
City Of Dreams Hotel A	KRUEGER
City Of Dreams at Cotai	CHEVALIER
City Of Dreams Hotel B	CHINA STATE, KRUEGER JV
City Of Dreams Theatre	CHINA STATE, KRUEGER JV
凱旋門	TUNG TAT
Venetian	YIELD FULL M&E
C.O.D.	CHEVALIER

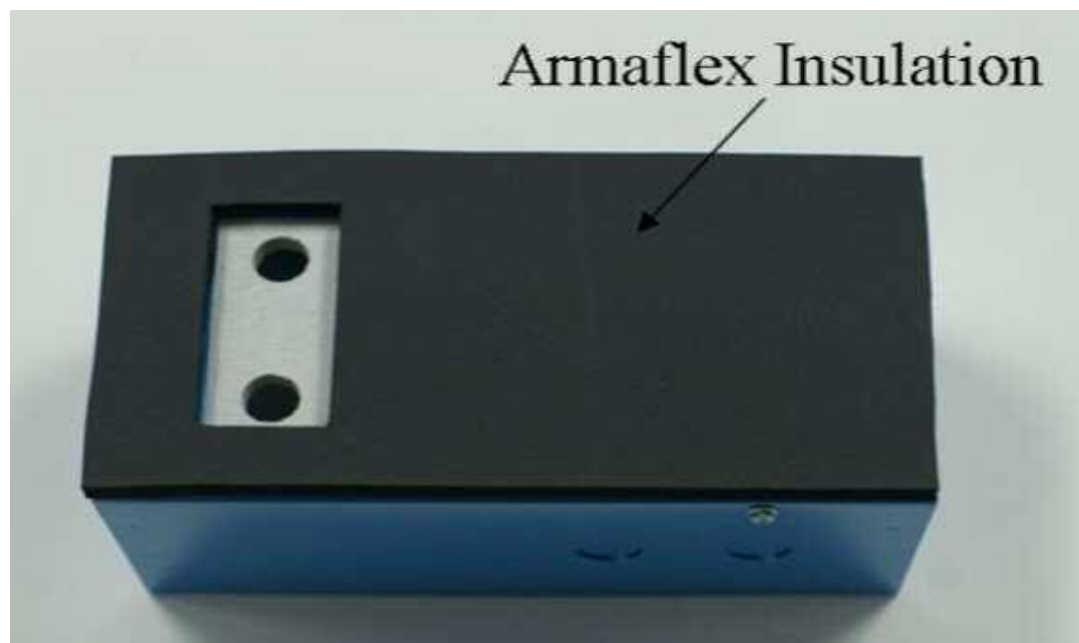
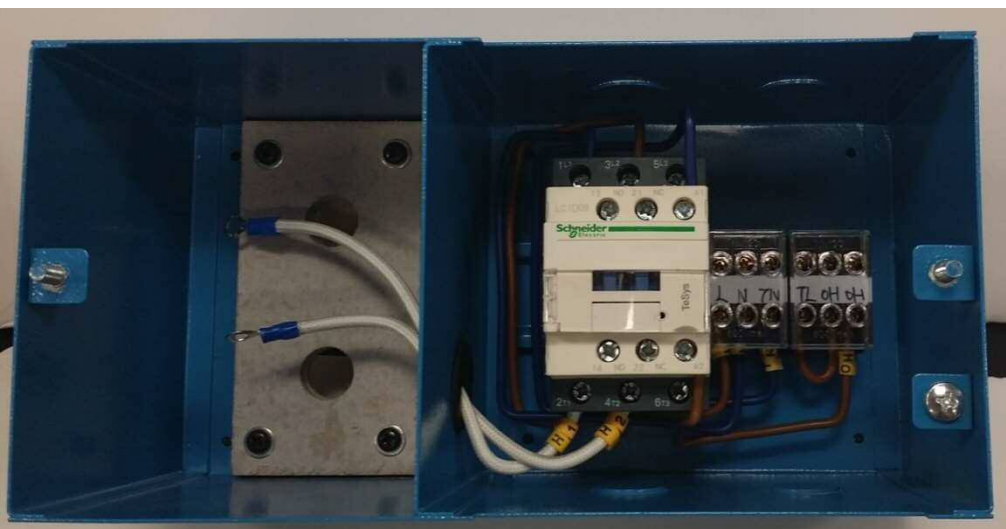
JOB REFERENCE

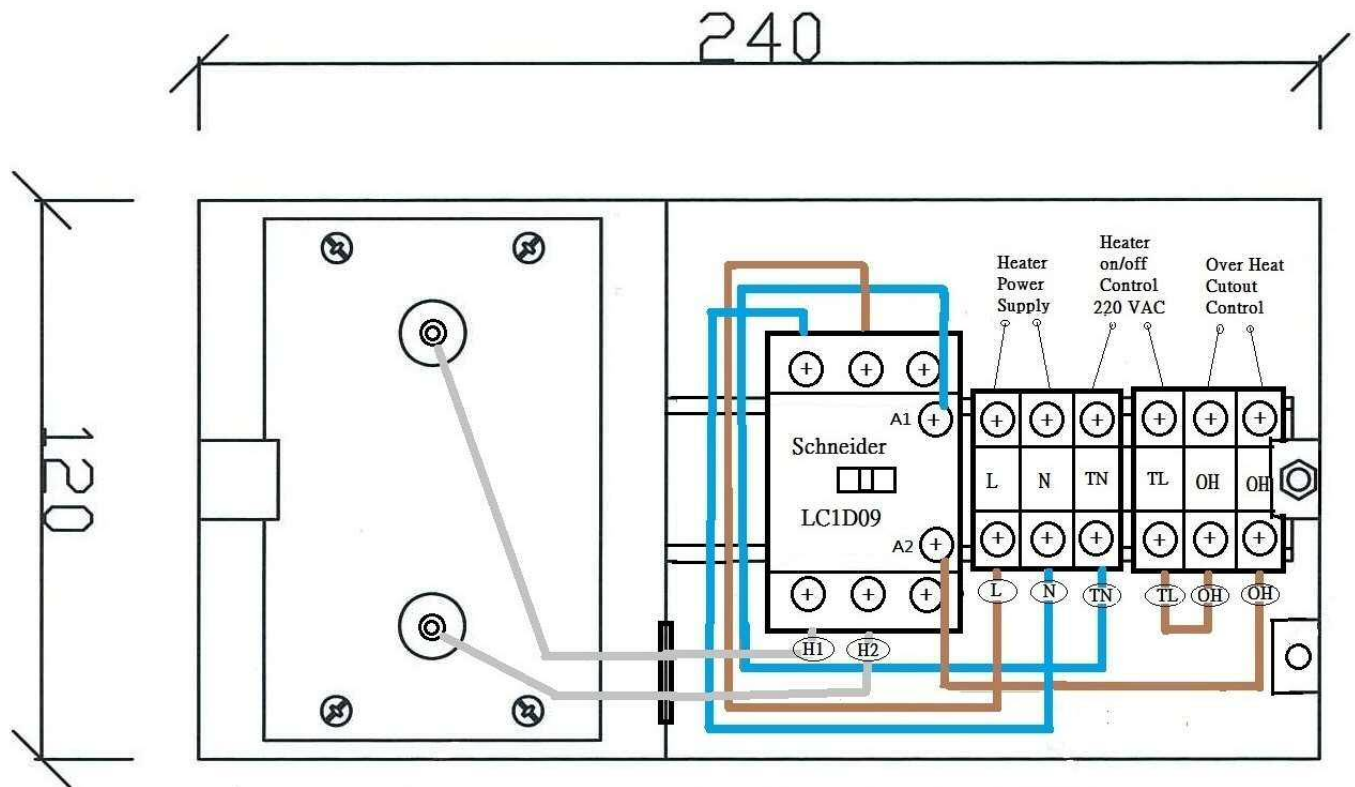
“DDS” STAINLESS STEEL ELECTRIC HEATING ELEMENT (MACAU PROJECT)

PROJECT	CLIENT
C.O.D., Hotel B1 & B2	Krueger - CSME
Macau Government Headquarter	HENG KEI
山頂醫院	SAN WA
筷子基醫院	AIR TECH
Galaxy (Foot Reflexology)	VA TAT HONG
COD	美景冷氣
澳門黑沙環衛生中心	ANPRO TECH
Star World L10 Hot Pot Rest.	VA TAT HONG
Macau Lot 6	WING FUNG
澳門保險	ANPRO TECH
Galaxy Phase II	REC
MACAU Goverment Office	HENG KEI AIR-COND
VENETIAN (CLINIC)	LIPO
VENNETIAN (SPA)	LIPO
漁人碼頭 酒店	LIPO
回力	ANPRO TECH

DDS HEATER BOX

Designed For FCU





Remarks : (L , N) is Power Supply 220V AC
 (TL , TN) is Thermostat Signal input 220V AC
 (OH , OH) is Over heat cutout

DDS Delta Duct Systems Limited

WIRING DIAGRAM

DDS HEATER BOX

Designed For Air Duct , AHU , PAU

