

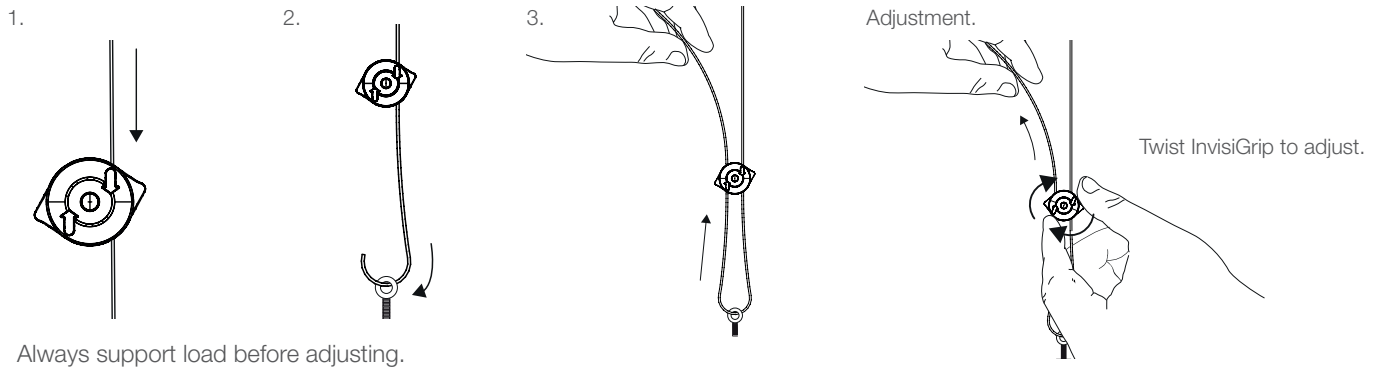
A translucent hanger solution for the discreet suspension of signage, decorations, acoustic panels, lighting and displays.

FEATURES / BENEFITS

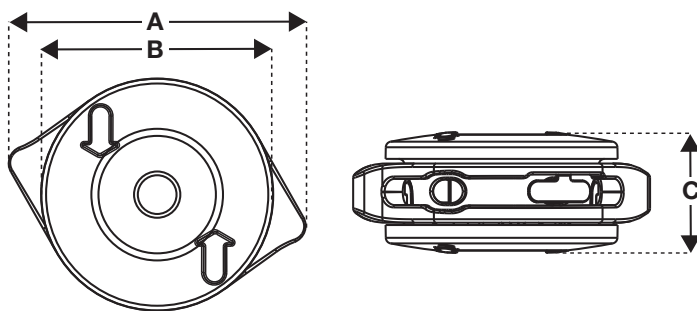
- **Discreet** – translucent hanger and filament ensures suspension blends into surroundings and creates illusion of 'floating' displays
- **Versatile** – ideal for retail signage, product displays, lighting, decorative features and acoustic panels
- **Easy** – innovative twist release mechanism allows the user to simultaneously adjust the position of the hanger, as well as the products suspended, in one simple movement
- **Fast** – install and adjust in seconds, eliminating signage rails and complex assemblies
- **Ready-to-use** – delivered as pre-made kits with your chosen end fixing and set length of filament, or as a DIY kit complete with InvisiGrip Hangers, a reel of InvisiGrip grade filament, and filament cutters
- **Safe** – 5 kg Safe Working Load with a 5:1 safety factor



INSTALLATION & ADJUSTMENT



SPECIFICATION



InvisiGrip	Dimension	A	B	C
	mm	26	20	10

Filament	Dimension	Ø
	mm	1.5

AVAILABLE END FIXINGS



For more options on available end fixings please contact us or visit www.gripple.com

SUBMITTAL INFORMATION

Load Rating:
5 kg @ 5:1

Minimum Load
100 g per Hanger

Material:
Housing - Polycarbonate
Wheel/Spring - Acetal [Polyoxymethylene]
Cam - Ceramic Sintox FA